

RECESSED

MYRA 2x25W 3000K

ART.5622.2.25.30

Recessed luminaire that may be adjustable on both axis, made from aluminium epoxy powder coated finish stabilized with UV rays. Equipped with a chip on board technology high efficiency LED source with luminous flux of 2x3500lm, with metallic reflector (40°) and transparent screen. The degree of protection against the penetration of dust, solid and liquids is IP43. Driver 700mA included. Fitted for direct installation on flammable surfaces F.



Luminaire details

Supply voltage	220-240V 50Hz
Driver 700mA	included
Insulation class	CL II
IP number	IP43
Glow wire	960° C
Impact test	IK03
European standards	EN60598-2-1 EN60598-2-2 EN62471:2008, EN60825-1

Lamp details

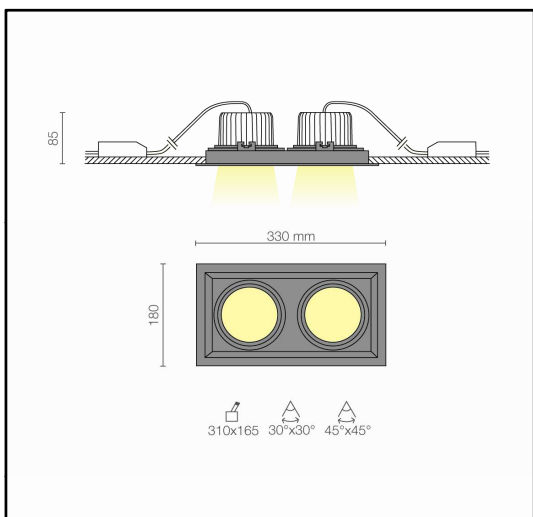
Lamp	LED
Type	CLU028-1205
CRI	>80
CCT	3000 K
Risk group	RG1
Luminous flux typ@65°	2x3500lm
Power	2x25,5W
IEE	A++

Colours

02	Black matt
08	Frosted white RAL 9003

Accessori

....



dic-16



Riservata la facoltà di apportare modifiche senza alcun preavviso