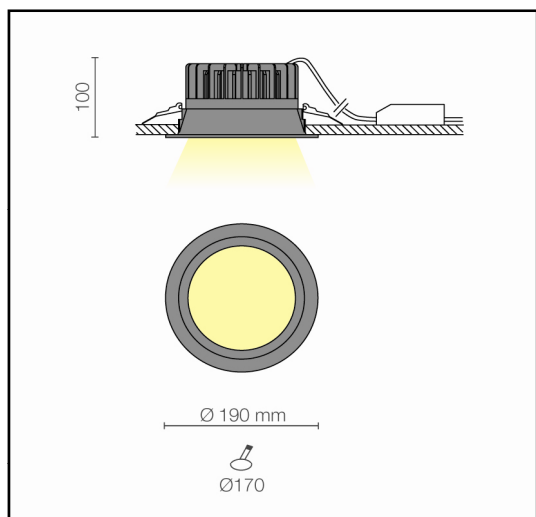
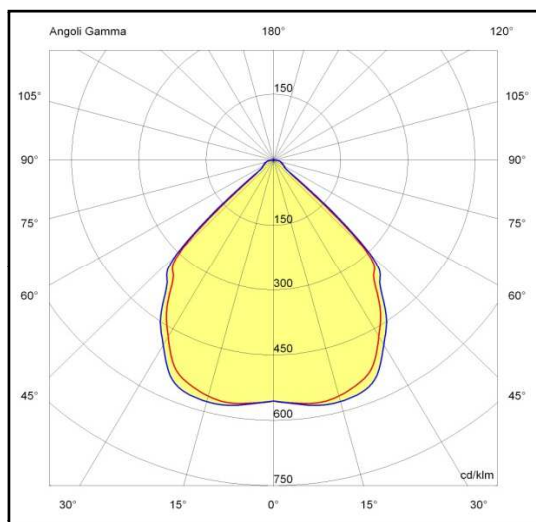


**RECESSED**

**IVY Ø190 25W 3000K**

**ART.5648.25.30**

Recessed luminaire , made from aluminium epoxy powder coated finish stabilized with UV rays. Equipped with a chip on board technology high efficiency LED source with luminous flux of 3500lm, with metallic reflector and transparent screen. The degree of protection against the penetration of dust, solid and liquids is IP43. Driver 700mA included. Fitted for direct installation on flammable surfaces F.



**Luminaire details**

|                    |   |
|--------------------|---|
| Supply voltage     | 220-240V 50Hz   |
| Driver 700mA       | included  |
| Insulation class   | CL II   |
| IP number          | IP43  |
| Glow wire          | 960° C  |
| Impact test        | IK03  |
| European standards | EN60598-2-1<br>EN60598-2-2<br>EN62471:2008, EN60825-1 |

**Lamp details**

|                       |             |
|-----------------------|-------------|
| Lamp                  | LED         |
| Type                  | CLU038-1205 |
| CRI                   | >80         |
| CCT                   | 3000 K      |
| Risk group            | RG1         |
| Luminous flux typ@65° | 3500lm      |
| Power                 | 25,5W       |
| IEE                   | A++         |

**Colours**

|    |                        |
|----|------------------------|
| 02 | Black matt             |
| 08 | Frosted white RAL 9003 |

**Accessori**

....

dic-16



Riservata la facoltà di apportare modifiche senza alcun preavviso